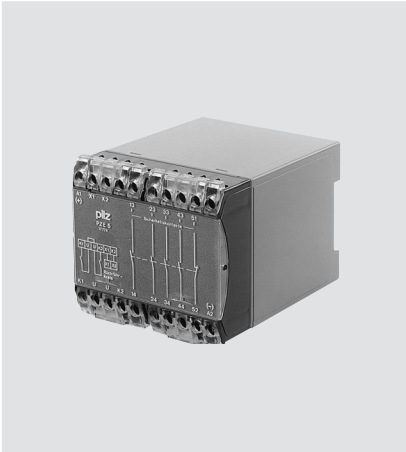


## Instantaneous PZE 5



Expander module in accordance with VDE 0113-1, 11/98, EN 60204-1, 12/97 and IEC 204-1, 11/98, to increase the number of safety contacts available.

### Features

- Single or dual-channel operation

### Approvals

	PZE 5
	●
	●

Technical Details	PZE 5
<b>Electrical Data</b>	
Supply Voltage	AC: 24, 42, 48, 110, 120, 230, 240 V DC: 24 V
Tolerance	85 ... 110 %
Power Consumption	Approx. 3.5 W/5 VA
Maximum Sum of Output Current	Max. 40 A
Switching Capability in accordance with EN 60947-4-1, 01/92	AC1: 240 V/0,01 ... 8 A/2000 VA 400 V/0,01 ... 8A/2000 VA DC1: 24 V/0,01 ... 8 A/200 W AC15: 230 V/5 A; DC13: 24 V/7A
EN 60947-5-1, 08/00 (DC13: 6 cycles/min.)	
Output Contacts	4 safety contacts (N/O), 1 auxiliary contact (N/C)
Contact Fuse Protection (EN 60947-5-1, 08/00)	10 A quick or 6 A slow
<b>Times</b>	
Delay-on Energisation	Approx. 30 ms
Delay-on De-energisation	Approx. 50 ms
<b>Mechanical Data</b>	
Torque Setting on Connection Terminals	1.2 Nm (screws)
Maximum Cross Section of External Conductors	2 x 2.5 mm <sup>2</sup> Single-core or multi-core with crimp connectors
Dimensions (H x W x D)	87 x 90 x 110 mm
Weight	AC: 420 g, DC: 340 g

### Description

- 90 mm, P-75-housing, DIN-Rail mounting
- Positive-guided relay outputs:
  - 4 safety contacts (N/O)
  - 1 auxiliary contact (N/C)
- Connection for feedback control loop

### Function Description

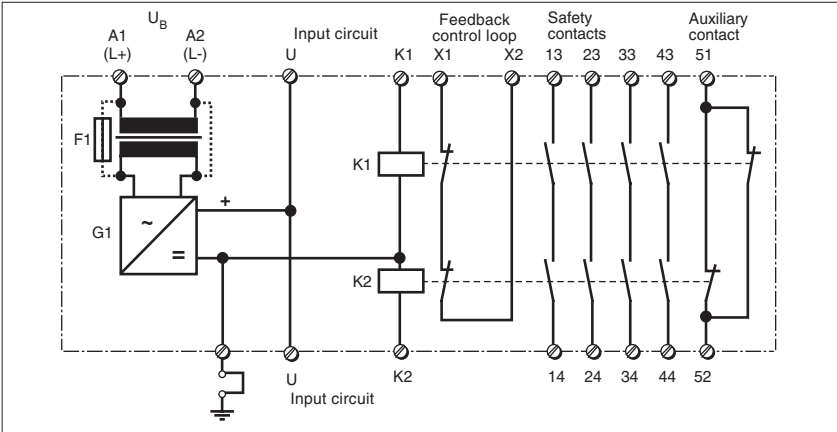
PZE 5 is used to increase the number of safety contacts available on

- E-STOP relays
- Safety gate monitors
- Two-hand relays

All base units must have a feedback control loop.

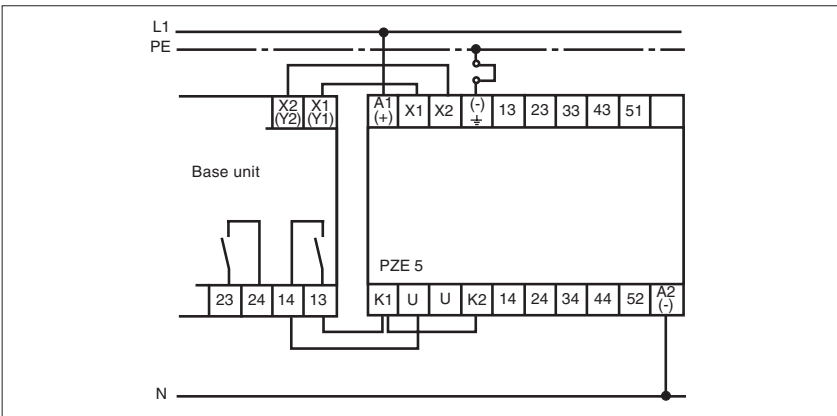
## Instantaneous PZE 5

### Internal Wiring Diagram

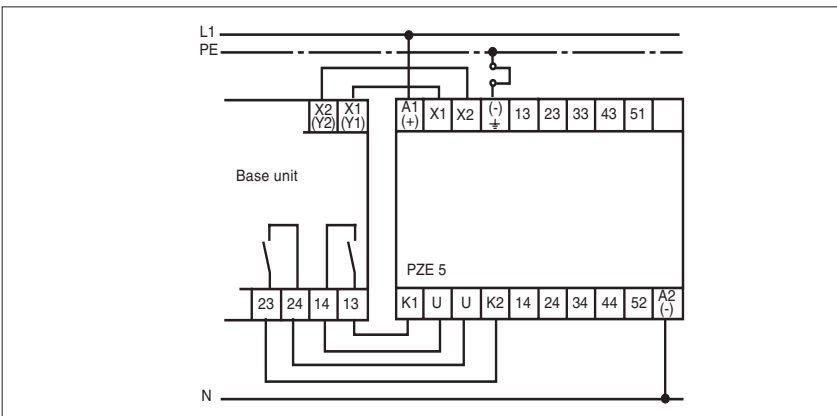


### External Wiring

- Example 1  
Single-channel operation



- Example 2  
Dual-channel operation



## Instantaneous PZE 5

### General Technical Data

Unless stated otherwise in the technical details for the specific unit

#### Electrical Data

Frequency Range AC	50 ... 60 Hz
Residual Ripple DC	160 %
Contact Material	AgSnO <sub>2</sub>
Continuous Duty	100 %

#### Environmental Data

EMC	EN 50081-1, 01/92, EN 61000-6-2, 03/00
Vibration in accordance with EN 60068-2-6, 01/00	Frequency: 10 ... 55 Hz, Amplitude: 0.35 mm
Climatic Suitability	DIN IEC 60068-2-3, 12/86
Airgap Creepage	DIN VDE 0110-1, 04/97
Ambient Temperature	-10 ... +55 °C
Storage Temperature	-40 ... +85 °C

#### Mechanical Data

Torque Setting on Connection Terminals	0.6 Nm (screws)
Mounting Position	Any
Housing Material	Thermoplast Noryl SE 100
Protection	Mounting: IP 54 Housing: IP 40 Terminal Range: IP 20

The units were tested in accordance with the relevant standards current at the time of development.

### Order References

Type	U <sub>B</sub>	Order No.
PZE 5	24 V DC	474 910
PZE 5	24 V AC	474 911
PZE 5	42 V AC	474 912
PZE 5	48 V AC	474 913
PZE 5	110 V AC	474 915
PZE 5	120 V AC	474 916
PZE 5	230 V AC	474 919
PZE 5	240 V AC	474 920